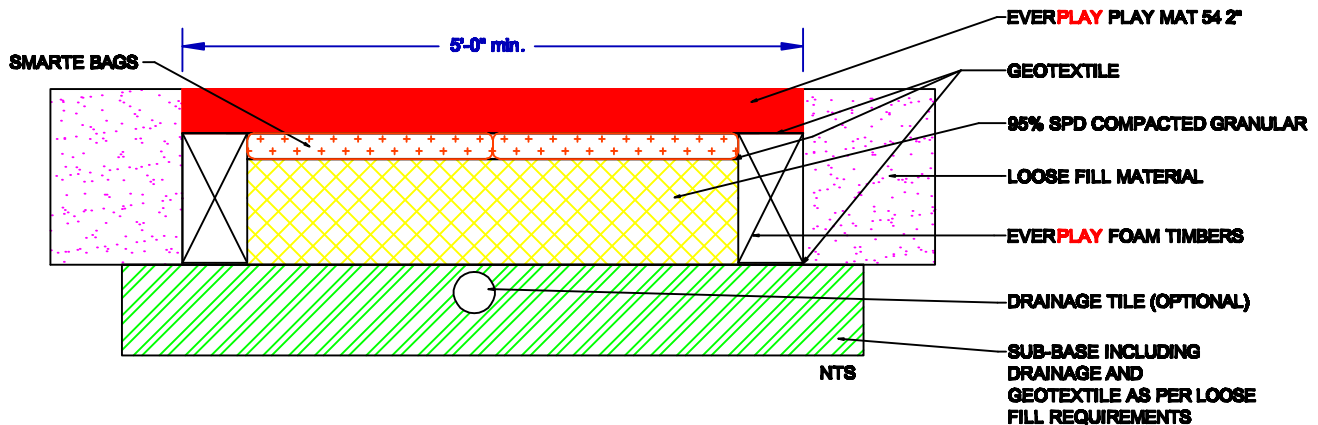
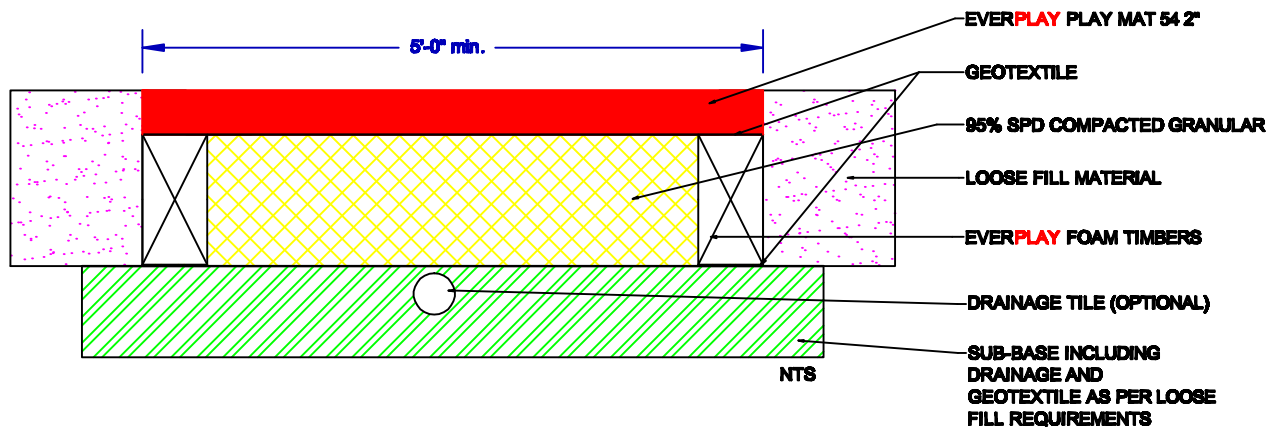


EVERPLAY Play Mats 54 as access through play area with LOOSE FILL material *4' - 12' drop height



EVERPLAY Play Mats 54 as access through play area with LOOSE FILL material *drop height <4'



1. Grade, level and prepare the sub-base including geotextile and drainage as required.
2. Place the granular retention, recommended is foam timber, to the depth of the loose fill material.
3. Install and compact split granular with fines to 95% standard proctor density.
4. Place geotextile (Terrafix 200R) across the granular and across and down the retention.
5. Place the EVERPLAY Play Mat 54, bonding the mats to each other and timber using EVERPLAY adhesive at the edges.
6. Install loose fill materials to the specification of the loose fill material supplier.

NOTE:

All surfacing must meet the requirements of ASTM F1292-09 for the stipulated drop height.